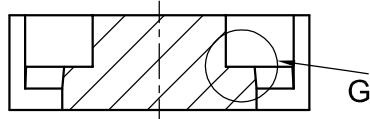
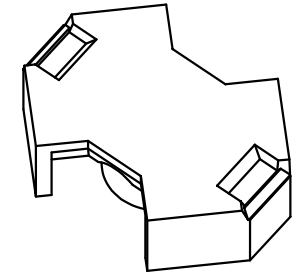
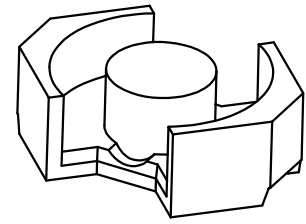
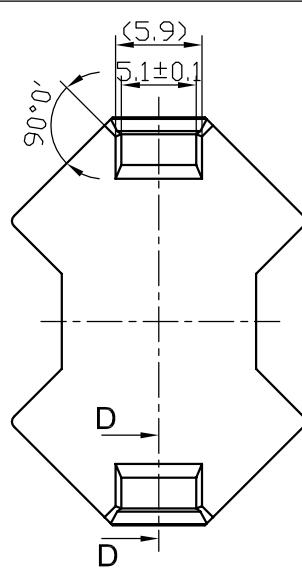
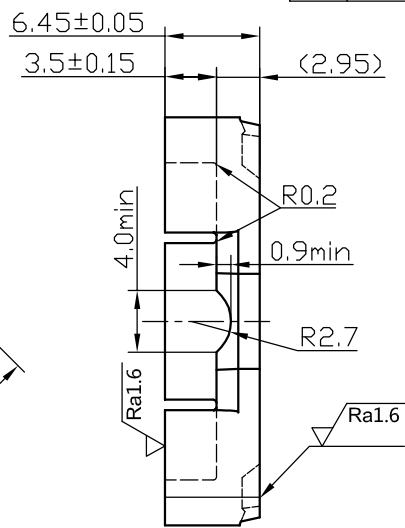
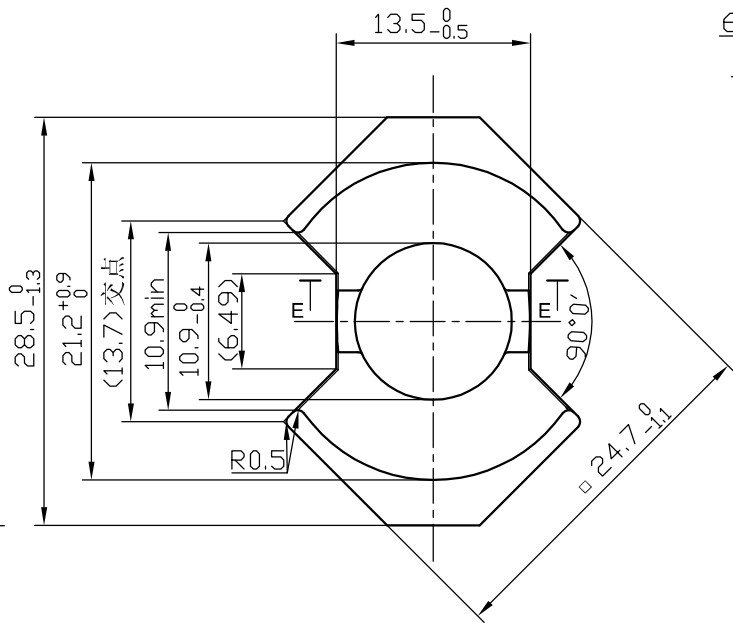
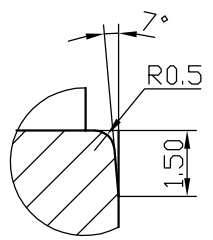


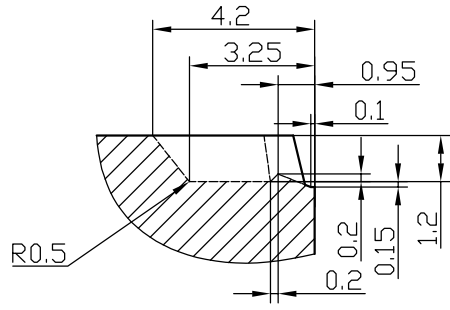
REVISION HISTORY			
Rev	DESCRIPTION	DATE	APPROVED



Section E-E



Detail G



Section D-D

	Scale	2:1	Material	Customer Part number	
	Unit:	Standard tolerances		±0.1	RM-10/ILP
Approved by			Created by	Document type	Rev
Y.Higuchi			Jh.Huang	Production drawing	00
Hitachi Metals (Hong kong) Ltd. Panyu Factory				Date of issue	Sheet
				APR 21 2018	1/1